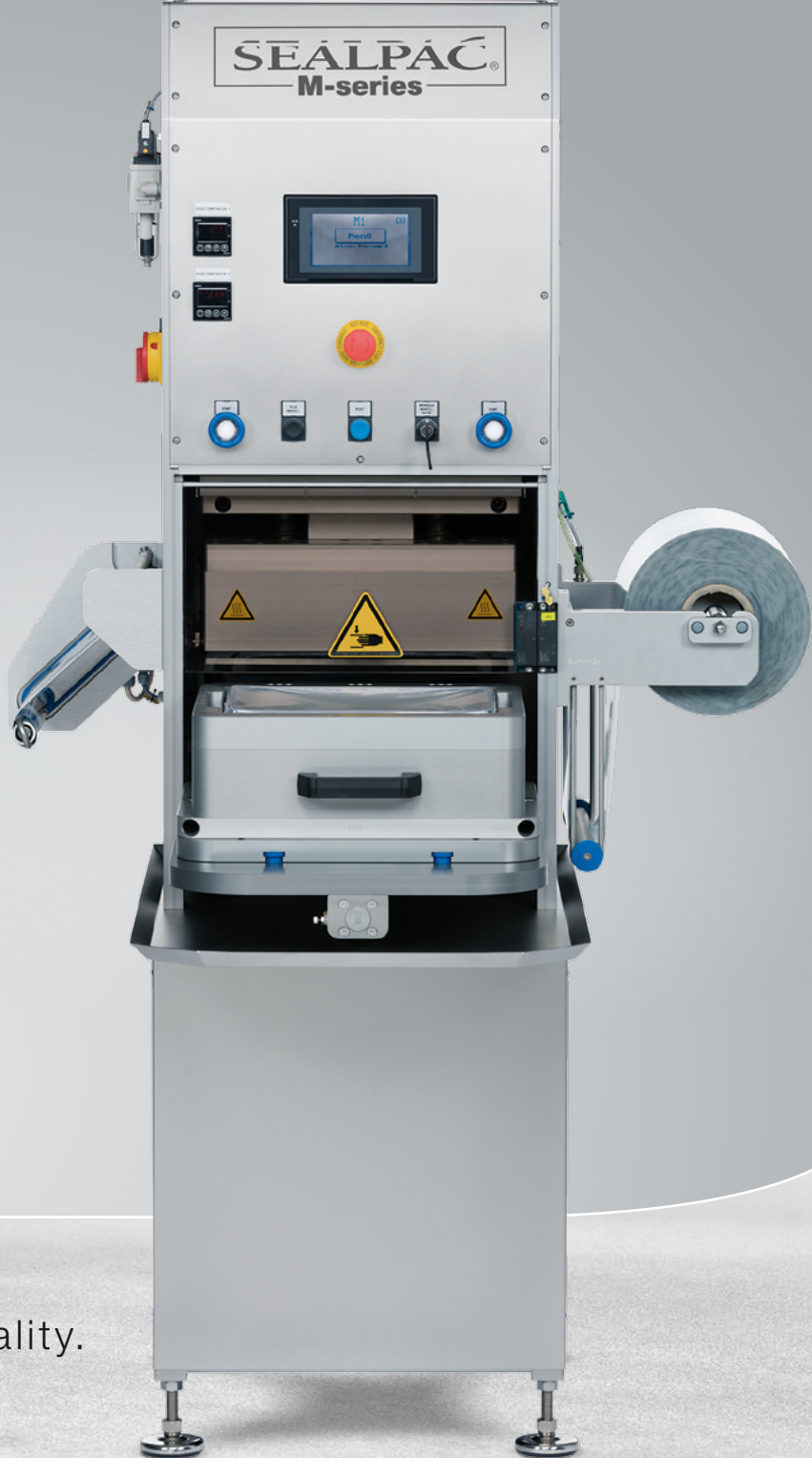


Compact TRAYSEALERS

SEALPAC® M-series



First in performance and quality.

LET THE M-SERIES GET MORE OUT OF YOUR BUSINESS – RAISE YOUR POTENTIAL

SEALPAC packaging systems operate successfully worldwide. As a high-precision manufacturer, we share our expertise with your production. Our full product range is based on the quality standard “Made in Germany”. Our support is customised to meet all your needs for a specific tray-sealing system. Our solutions are tailored to your production and profitability – that means for example lower maintenance costs.

Small production runs need the right machine for the job – whether you are a traditional butcher, or your field is product development, market testing or institutional kitchens. Versatility and convenience are in especially high demand. The M-series provides you these options plus a clear increase in efficiency.

Convince yourself of the SEALPAC M-series: an extremely compact design with all the major options – at unbeatable value for money.

SEALPAC MAP+ SYSTEM

Faster, fresher packaging, with more appeal: SEALPAC’s exclusively developed vacuum and gas injection system for packaging fresh food products via MAP* technology.

Use the benefits:

- **Reduced product exposure**
- **Shorter cycle times**
- **Optimised gas figures**
- **Reduced gas consumption**

Discover
our M-series:



APPLICATIONS

Fresh food requires reliable processing. The SEALPAC M-series can handle all types of sealable materials and systems, and is suited for manufacturers in every area of the food industry.



* Modified Atmosphere Packaging



Panel with
touchscreen
control

SEALPAC
control system
with separately
attached
sealing heads

Economical
use of
packaging
material

Stable,
extremely
compact
construction



Owing to a special retooling system, the SEALPAC MX is extremely suitable for small production runs that require flexibility.

CLEAN Hygienic:

- Manufactured from non-corrosive materials
- Easily removed tools
- Special anodization
- Compact design

SIMPLE Operation:

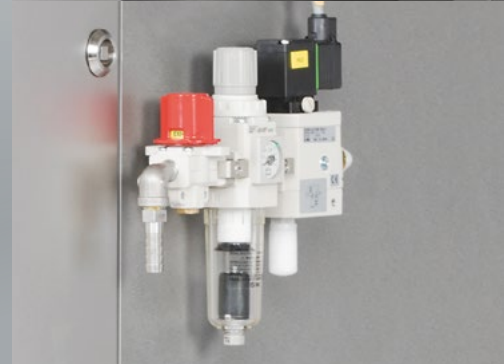
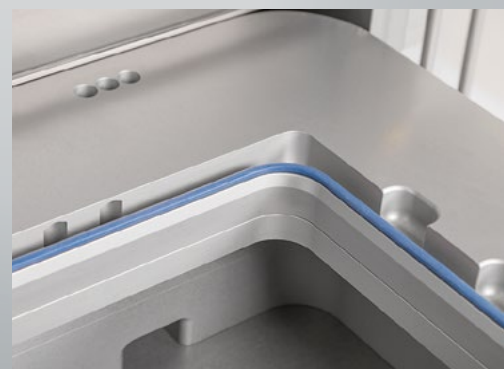
- Panel with touchscreen control
- Various programmes may be stored
 - Integrated pump
- Ergonomically designed

SECURE Technology:

- Proven SEALPAC vacuum and gas system
 - Efficient performance
 - Low maintenance costs
- Individually attached sealing heads



- Meat and sausages
- Bulk packaging
- Convenience foods and ready meals
- Dairy products
- Snacks
- Seafood
- Medical products
- Non-food products

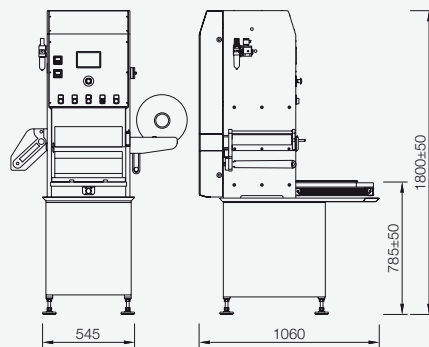




Our SEALPAC Experience Center enables professional training of your technicians and service staff, as well as testing the marketability of your new products.

TECHNICAL DETAILS

Measures in mm



Capacity: up to 6 cycles/minute¹⁾

Maximum tray height: 100 mm (may be increased)

Machine weight: 320 kg

Air pressure: 6 bar – 200 liters/minute

Connection values: 3 x 400/230 V+N+E – max. 1,5 kW²⁾

¹⁾ Capacity may vary according to tray format and other process data.

²⁾ Connection values vary according to equipment and operation specification.

All rights reserved for technical modifications.

Your SEALPAC distributor:

SEALPAC – your package to success.

As a high-precision manufacturer, we support our customers in reaching their targets. We work together to create cost-effective and guaranteed high-quality solutions. Our flexible and dedicated approach will guide you in exploring individual alternatives to help shape your future.